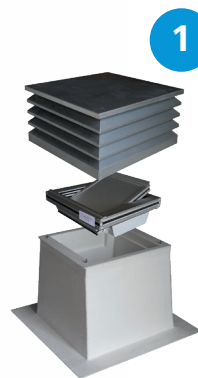
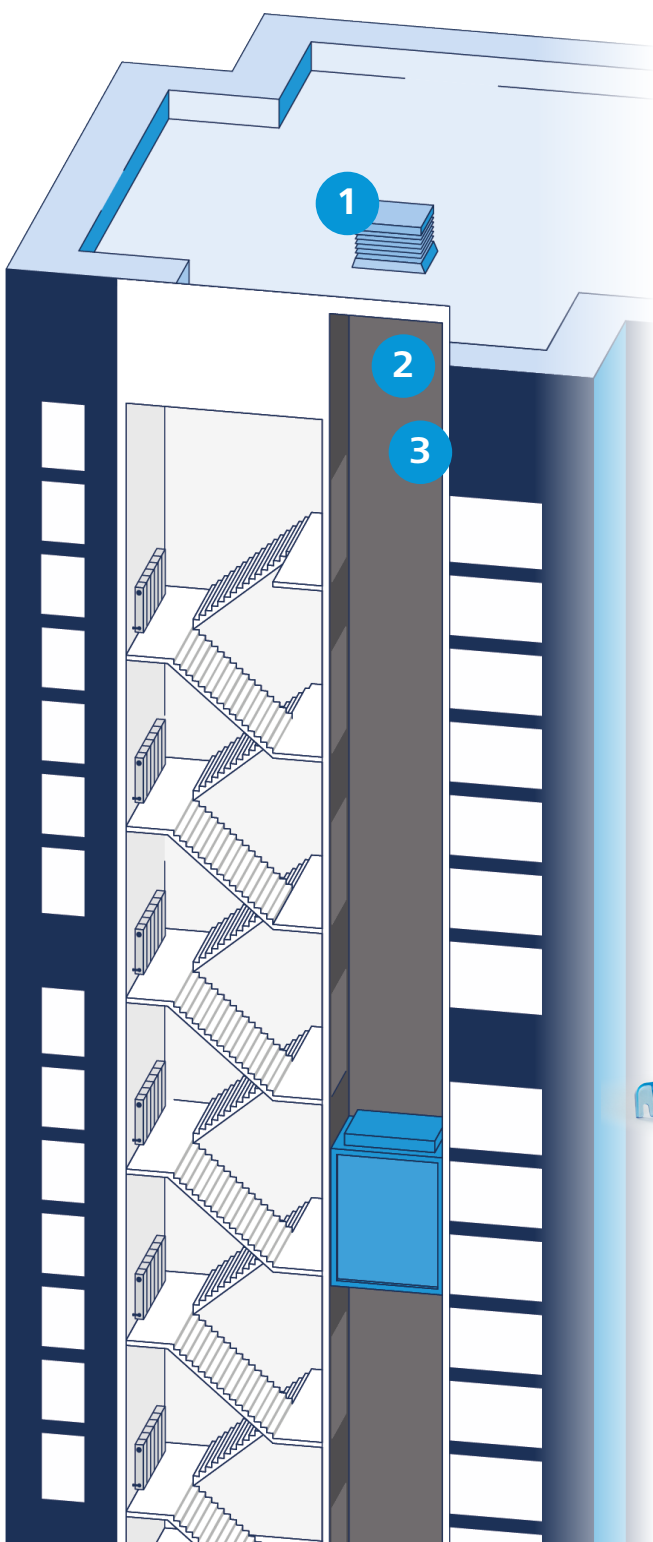


# Basic Shaft Ventilation

## Saving energy costs with BlueKit

Basic Shaft Ventilation (BSV) offers the customer a demand-oriented and cost-effective ventilation solution for the lift shaft. The permanent opening in the shaft is closed, thus avoiding the escape of valuable heat energy. Thanks to the LST-CO<sub>2</sub> air quality sensor, ventilation only takes place automatically when needed. Ventilation is triggered when a limit value for CO<sub>2</sub>, temperature or air humidity is exceeded. All D+H ventilation elements are possible within this system.



### 1 Ventilation element

The ventilation element reduces power losses by closing the opening in the lift shaft and ventilates only when needed.

### 2 Connection module

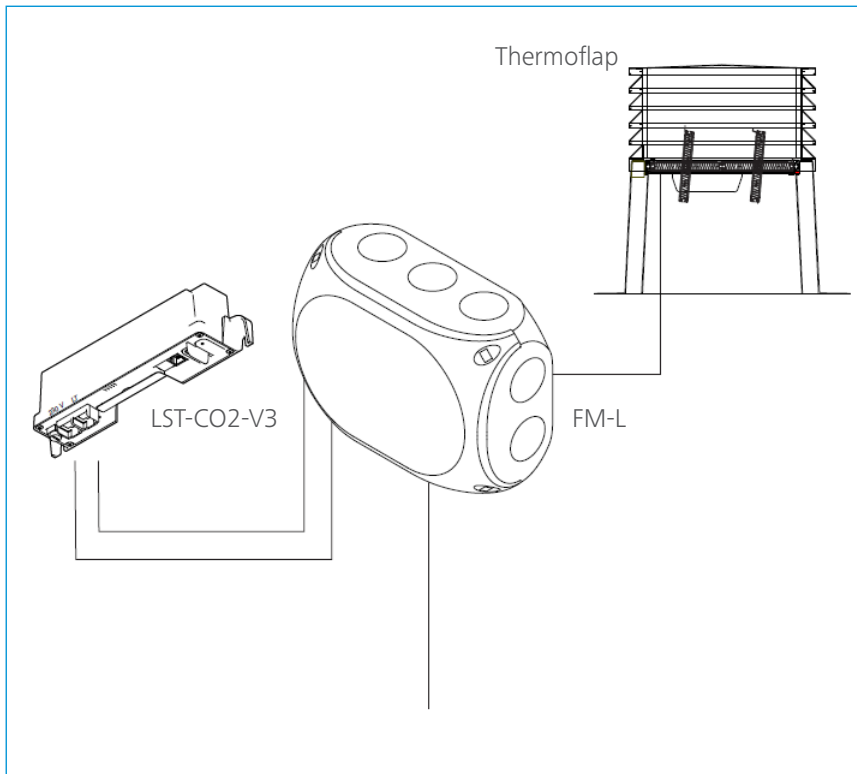
The FM-L connection module placed in the shaft connects the ventilation element to the lift status transmitter and ensures that the ventilation element opens when necessary.



### 3 Lift Status Transmitter (LST-CO<sub>2</sub>)

The LST, installed in the lift shaft, controls the air humidity, temperature and CO<sub>2</sub> level in the shaft.

## Solution scheme



### Technical data FM-L

- » Input voltage: 230 V DC
- » Maximum output current: 1,5 A
- » Type of protection: IP 40

### Your advantages

- ✓ Energy savings thanks to the clever closure of the building envelope in the lift shaft
- ✓ Savings of up to 7.5% on the total energy consumption of the building according to Ifeu (Institute for Energy and Environmental Research)
- ✓ Comfort and hygiene ventilation in the lift shaft in accordance with the German Workplace Ordinance
- ✓ Automated ventilation according to temperature, CO<sub>2</sub> and air humidity

## About BlueKit

For over 10 years, BlueKit systems have been reducing the operating costs of buildings while ensuring maximum safety. The idea behind it is as simple as it is clever: permanent openings in the lift shaft or stairwell remain closed and only open for controlled ventilation or in the event of a fire. This reduces CO<sub>2</sub> emissions and saves heating costs. Closed shaft heads also increase the comfort of the building: unpleasant draughts inside are avoided. The energy-efficient BlueKit systems are among the most modern shaft ventilation and smoke extraction solutions in the world.

### Manufacturer

D+H Mechatronic AG  
Georg-Sasse-Strasse 28-32  
D-22949 Ammersbek  
Germany

+49 40 60565 0  
info@dh-partner.com

[WWW.DH-PARTNER.COM](http://WWW.DH-PARTNER.COM)